


# PRODUCT SHEET

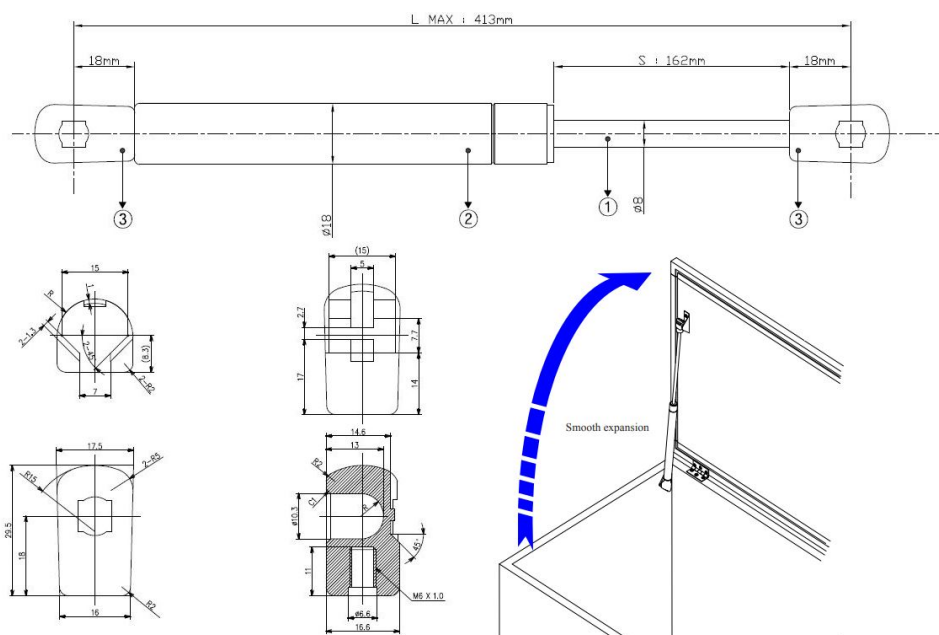
## Description:

Expansion Spring 413mm, 16 KG, SS316, W/SISO Logo

## Item number:

15.11.412-1

Units	Box	Carton	HS Code	Barcode
Pcs.	1	50	7320208190	
				5704866502610



## SISO A/S

Mileparken 11  
DK-2740 Skovlunde  
Denmark  
VAT: DK 24786013

Phone +45 45 830 900

[www.siso.dk](http://www.siso.dk)  
[siso@siso.dk](mailto:siso@siso.dk)

Danske Bank  
Nytovr Branch  
Copenhagen  
SWIFT: DABADKKK

Account no.  
4180 3112 112936  
IBAN Account  
DK7230003112112936